

# Engineering Change Notice

Part No. <u>5231</u>	ECN No. <u>20-062</u>
Part Name <u>CONTACT</u>	Date <u>7.06.20</u>
Rev. <u>D</u>	ECR No. <u>—</u>

Description of Change:  Drawing Attached  
ADD FLATNESS TO MANUFACTURING AND CUSTOMER DRAWINGS

Solution:  Tooling Change Required  
REVISE C+M

Disposition of Parts:  
U.A.I.

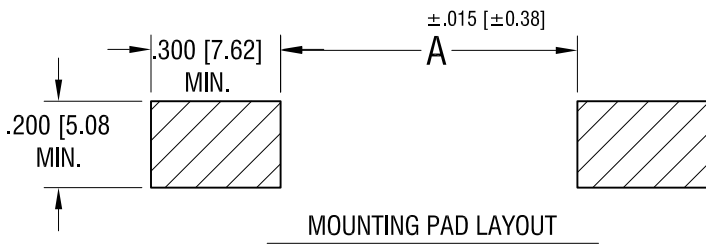
Signed RH Date 7.06.20

Required Distribution:  Engineering  Quality Control  Purchasing  Manufacturing/Supplier

Chief Engineer: \_\_\_\_\_ Remarks: \_\_\_\_\_  
Signed RH Date 7.06.20

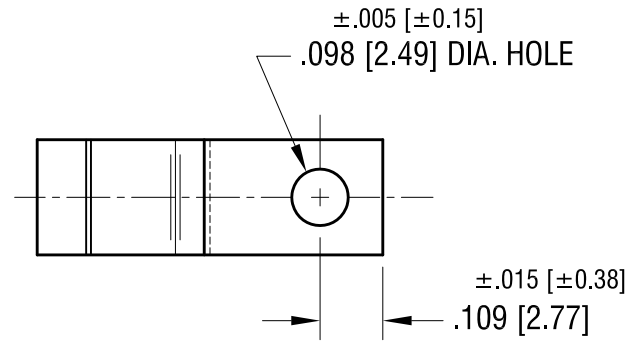
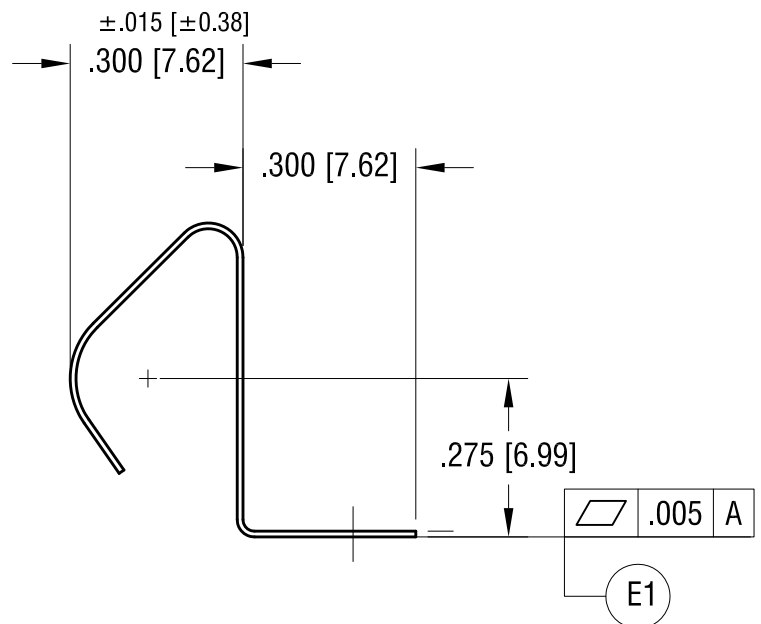
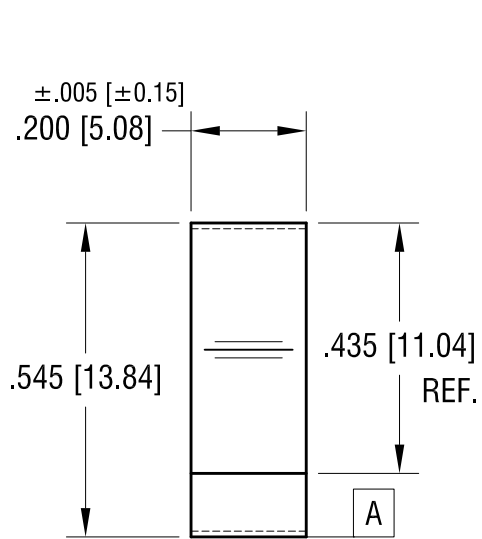
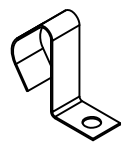
Document Control:  Change Incorporated Rev. E Signed NATASHA T. Date 7.06.20

THIS DOCUMENT IS THE PROPERTY OF KEYSTONE ELECTRONICS CORP. AND SHALL NOT BE REPRODUCED, DISTRIBUTED OR USED AS A BASIS FOR MANUFACTURE WITHOUT PRIOR WRITTEN PERMISSION FROM KEYSTONE ELECTRONICS CORP.



FOR BATTERY SIZE:	'A' DIM.
2/3A	1.71 [43.4]
AA	2.380 [60.45]

ACTUAL SIZE



NOTE:  
1. HEAT TREAT TO SPRING TEMPER.

DATE	DESCRIPTION	REV.
7.06.20	ADD FLATNESS (E1) CHANGE AS PER ECN 20-062	E
8.17.04	CHANGE AS PER ECN 04-058	D

**KEYSTONE ELECTRONICS CORP.**  
www.keyelco.com • NEW HYDE PARK, NY 11040 • Tel (516) 328-7500

PART NAME  
**BATTERY CONTACT, SURFACE MOUNT**

MATERIAL  
**.010 [0.25] TH'K ANNEALED SPRING STEEL**

FINISH <b>TIN NICKEL PLATE</b>	DRN BY <b>BOONE</b>	DATE <b>3.16.98</b>
	APP'D <b>RH</b>	SCALE <b>3X</b>

TOLERANCES INCH [MM] DECIMAL <b>±.010 [±0.25]</b> ANGULAR <b>± 1°</b> UNLESS OTHERWISE SPECIFIED	CODE <b>C</b>	DWG NO. <b>5231</b>
---	------------------	------------------------